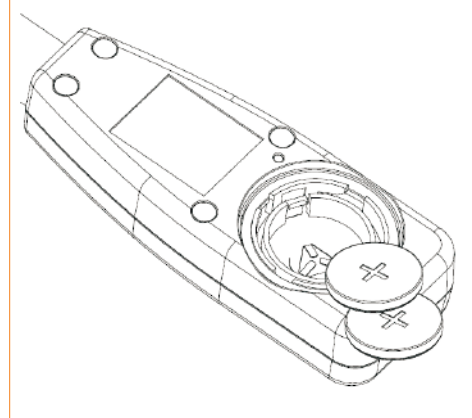


PH /TEMPERATURE PEN



Designed for testing sample container with limited opening size

Install the battery with correct polarity:



Ordering Code

VZ8693AZ, 8693 long tube pH in glass electrode
 VZ8694AZ, 8694 long tube pH in sharp electrode
 VZ8695AZ, 8695 long tube pH in surface electrode
 VZ8696AZ, 8696 long tube pH in 6mm diameter

*Available for EB project

IP65 Long Tube pH pen 8693/8694/8695/8696

- 4 different shapes pH electrode for wide application
- Big and clear LCD provide real time pH and Temp. Display
- Measuring stability indicator
- One touch auto-calibration up to 3 points
- Calibration values are adjustable
- Storage bottle to keep sensor wet & last life time



Auto Power Off



Low Battery



HOLD



Auto Temp. Compensation

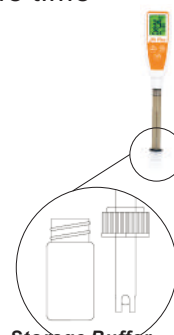


Metric/Imperial



IP65

Storage cap of 8696



Storage Buffer
Bottle of 8693~8695

Model	8693	8694	8695	8696
Body Material	Glass	Glass	PC	Glass
Reference	Single, Ag/AgCl	Single, Ag/AgCl	Single, Ag/AgCl	Single, Ag/AgCl, refillable
Junction / Flow Rate	Ceramic	Fiber	Ceramic	Ceramic
Electrolyte	Gel, 3.3M KCL	Gel, 3.3M KCL	Gel, 3.3M KCL	Gel, 3.3M KCL
Tip Shape	Spheric	Sharp tip	Flat surface	Spheric
pH range	0.00~14.00	2.00~12.00	2.00~12.00	0.00~14.00
pH accuracy	+/-0.1	+/-0.1	+/-0.1	+/-0.1
pH resolution	+/-0.01	+/-0.01	+/-0.01	+/-0.01
Temp. Sensor	Built-in	Built-in	Built-in	N/A
Probe Diameter(mm)	12 mm	12 mm	12 mm	6 mm
Probe Length(mm)	130mm	132mm	125mm	125mm
LCD size	29(H)x22.5(W)mm			
Operating temp.	0~80°C			
Operating RH%	Humidity<80%			
Storage temp.	-10~50°C			
Storage RH%	Humidity < 90%			
Sensor life time	>6 months (with good maintenance)			
Meter Dimension	94(L)x36(W)x20(H)mm			
Weight	115g			
Battery	CR2032 x 2pcs			
Standard Package	Meter/Battery/Manual/Paper box			

Application Laboratory general purpose dairy, meat, milk, semi-solid foods, yogurt agar plates, food, leather, paper, skin test tubes, vials

